

Description

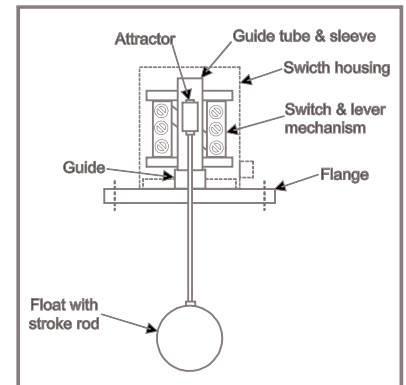
Cirrus top mounted switches are designed for top mounting insertion inside vessels and are most suitable for controlling liquid levels of hot & dense liquids. The switches are manufactured in two types of switch mechanism viz. single acting and double acting.

Single acting switch mechanism: In these type of switches only single point contact output is obtained. Due to rise of liquid level inside tank the float along with stroke rod of instrument moves in upward direction, hence raising the attractor. Attractor thus on lifting operates a magnetic lever mounted inside the switch enclosure, resulting magnetic lever to come in contact with the attractor. Due to this movement of lever, a microswitch is actuated giving potential free contact output. On reverse, when liquid level falls inside tank, the stroke rod & attractor moves down thus breaking the magnetic field & releasing of the lever & deactuation of microswitch. These have single level sensing contact outputs.

Double acting switch mechanism : A differential of 115 mm max. with individual two switch is obtained for high & low levels. These have multilevel contact outputs.

The switches are Reliable / rugged, have easy installation, made in SS float & Linkage versions. Models are available for high pressure & temperature and with external cages.

Application: Water, condensate, pressure vessels, chemicals, molasses, oil, viscous / dense liquids, soap solutions, foamy liquids, light slurry dyes, F.O., light syrups, lime solution, medical syrups etc.



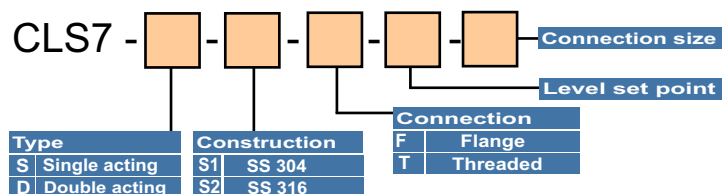
Features

- Reliable, Rugged
- For medium dense liquids, storage tanks, foamy liquids
- Customized sizes, magnetically operated
- Easy installation & operation
- No external power required to operate

Technical Specification

MODEL	CLS7
Type	Single Acting / Double acting
Differential	20 +/- 5 mm Std. (Min. 75 mm & Max. 110 mm for double acting)
Construction	SS 304 / SS 316
Switch Rating	SPDT , 5 Amp., 230 V AC Potential free
Process Temperature	100 ~ 200°C / others
Process Pressure	25 kg/cm2
Process Connection	Flanged
Housing	Aluminium

Model Selection



Contact us for other models & specifications not listed here. Due to product enhancement technical specification may vary.

